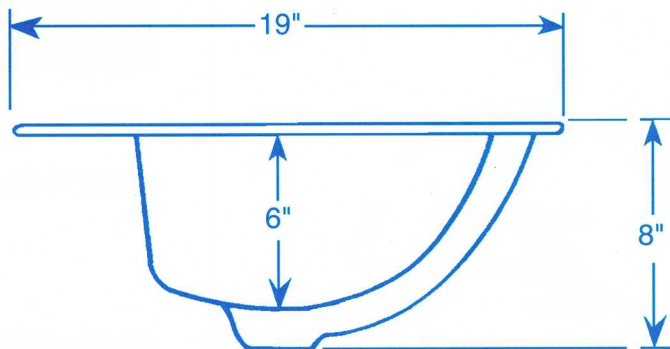
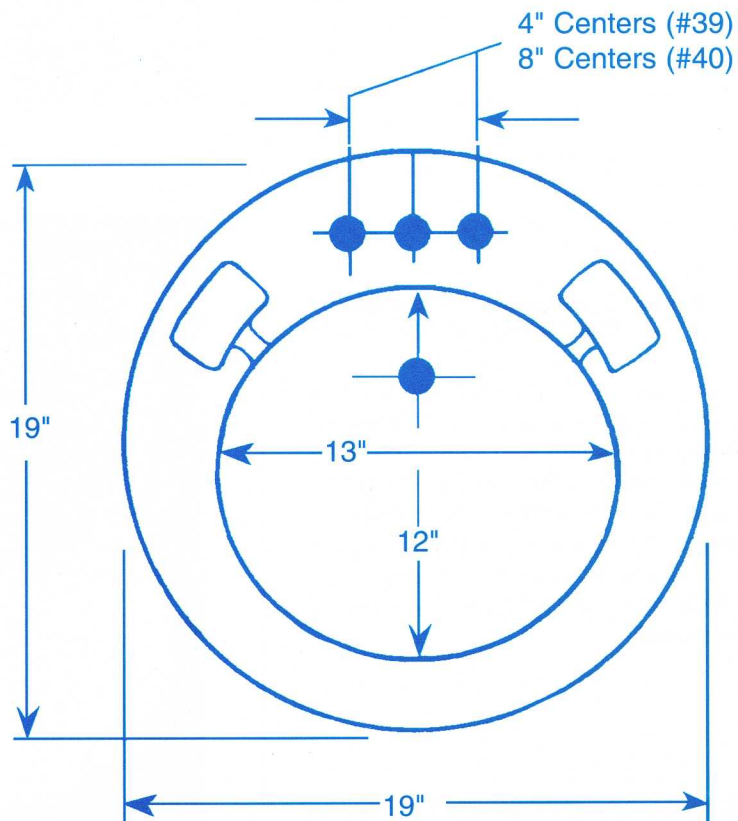


PEERLESS NO. 39, 40 19" SELF-RIMMING ROUND DROP-IN LAVATORY



PEERLESS POTTERY, INC.
P.O. BOX 145
ROCKPORT, INDIANA 47635-0145
(800) 457-5785
FAX (812) 649-6429

TEMPLATE SIZE

For installation, cut
17" Diameter circle.