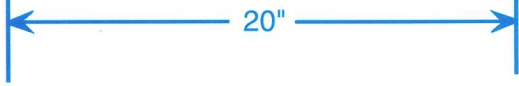


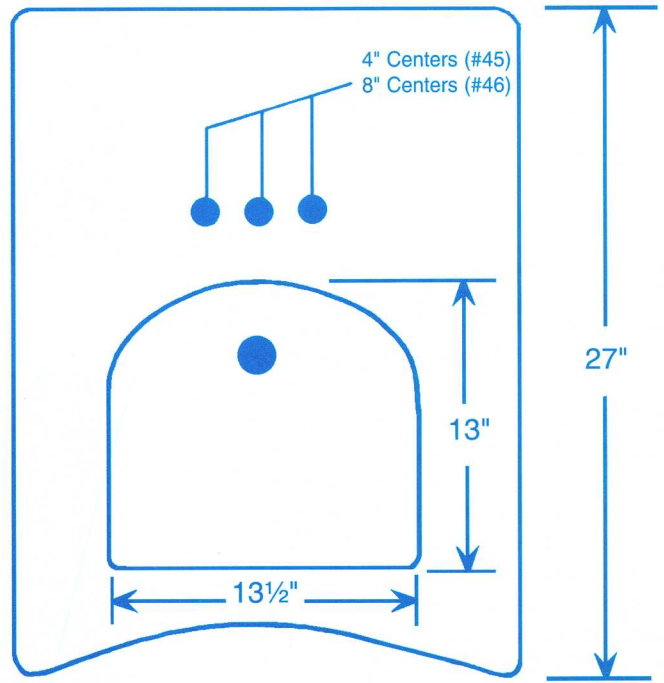
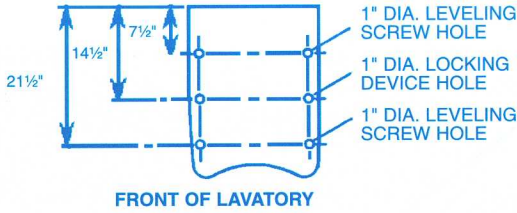
PEERLESS NO. 45, 46 HANDICAP 20" X 27" WALL HUNG LAVATORY



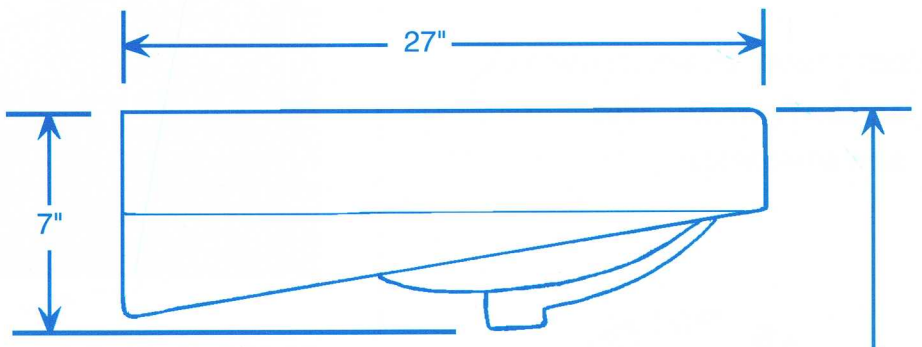
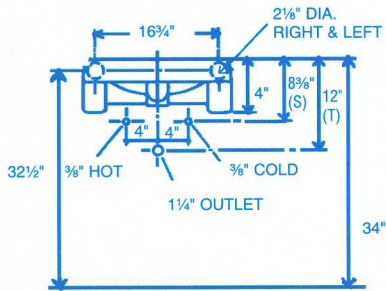
This product is in compliance with ADA when properly installed.



**BOTTOM VIEW
CONCEALED ARM HOLE LOCATIONS**



BACK VIEW



JAY R. SMITH ARMCHAIR CARRIER #700-27

For 34" height, mount armchair carriers 32 3/4" [C_L ARMCHAIR SLEEVE] above floor line.

34" MAX

Floor Line

PEERLESS POTTERY, INC.
P.O. BOX 145
ROCKPORT, INDIANA 47635-0145
(800) 457-5785
FAX (812) 649-6429