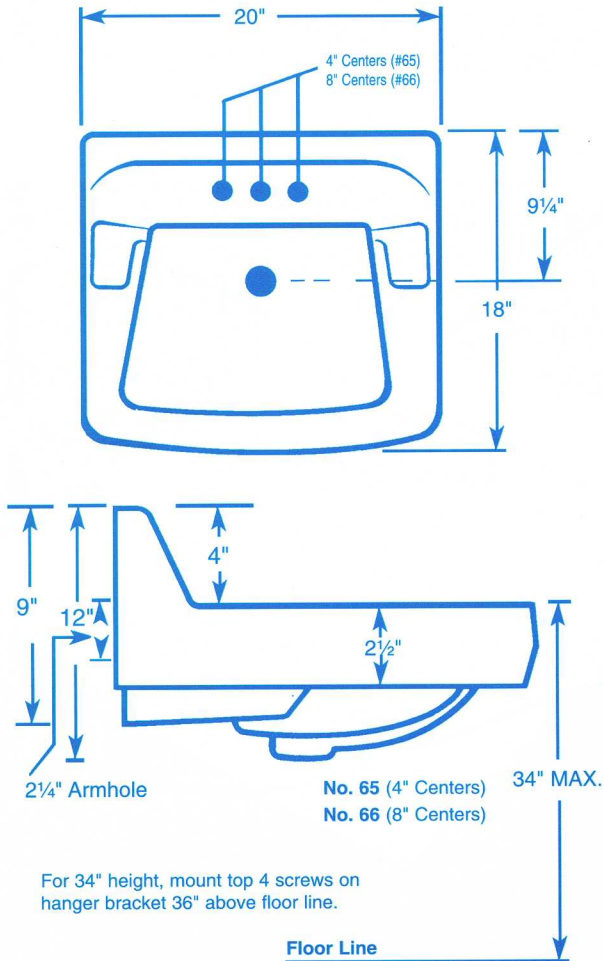


PEERLESS NO. 65 & 66 APRON BACK 20" X 18" WALL HUNG LAVATORY



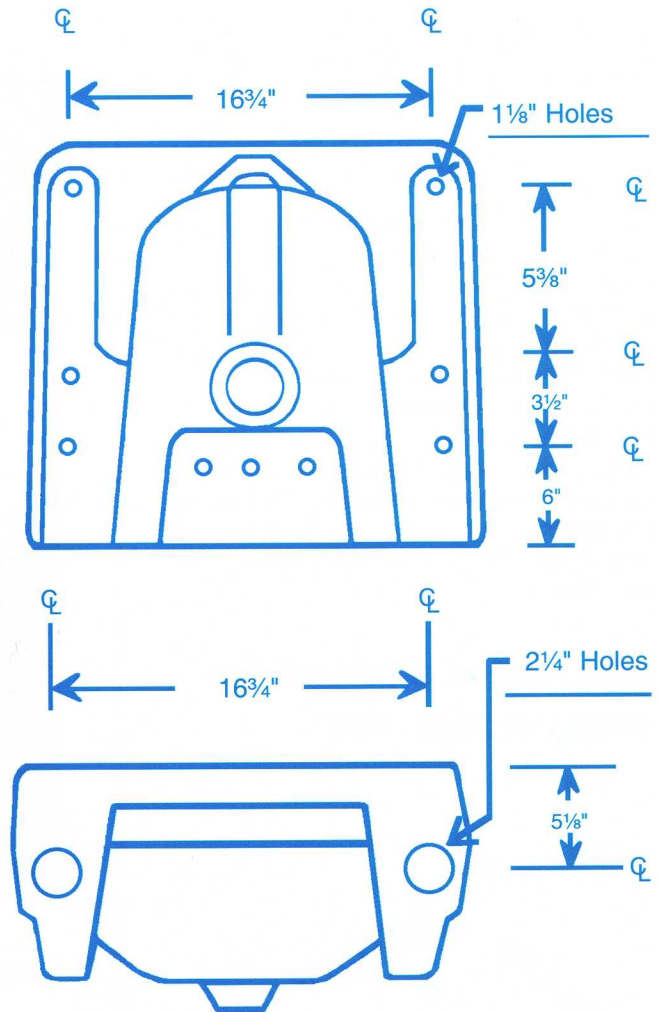
This product is in compliance with ADA when properly installed.



For 34" height, mount top 4 screws on hanger bracket 36" above floor line.



PEERLESS POTTERY, INC.
P.O. BOX 145
ROCKPORT, INDIANA 47635-0145
(800) 457-5785
FAX (812) 649-6429



CAC SPECS SHOWN ABOVE
JAY R. SMITH ARMCHAIR CARRIER #700