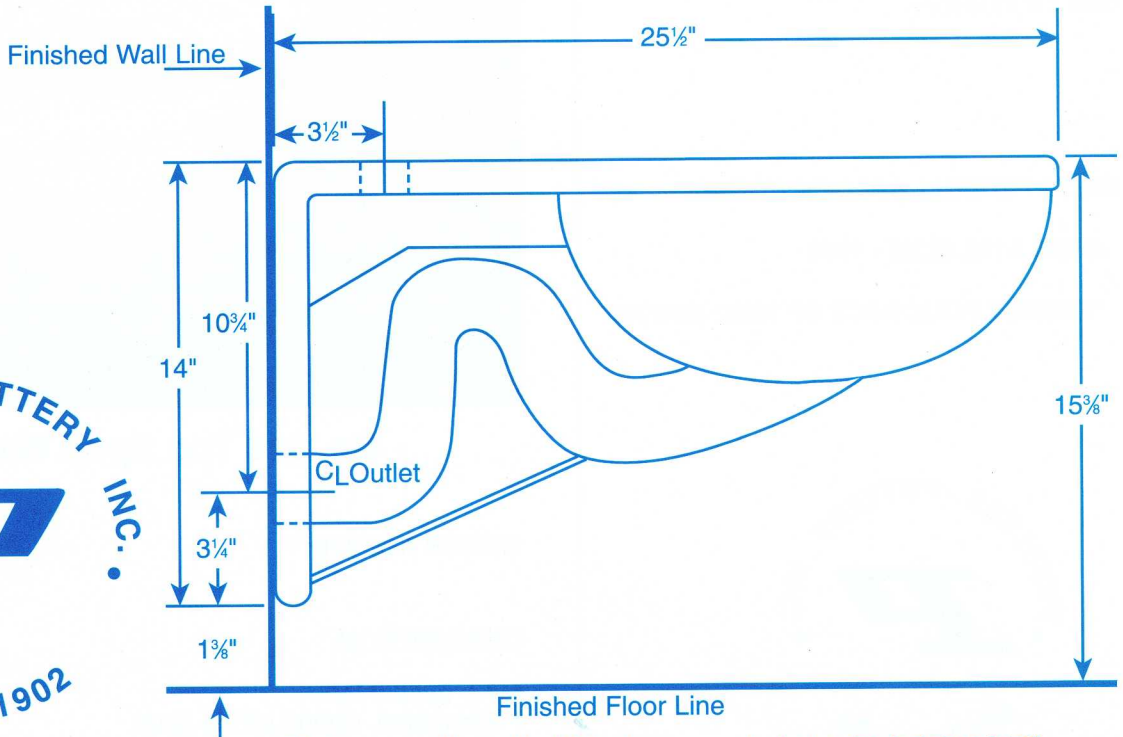
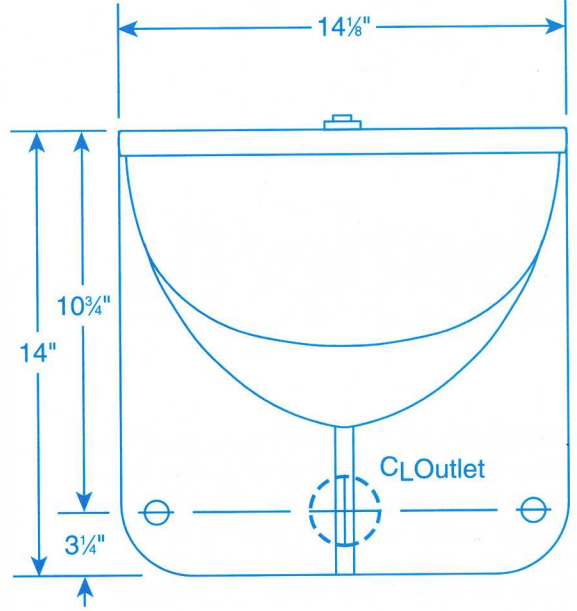
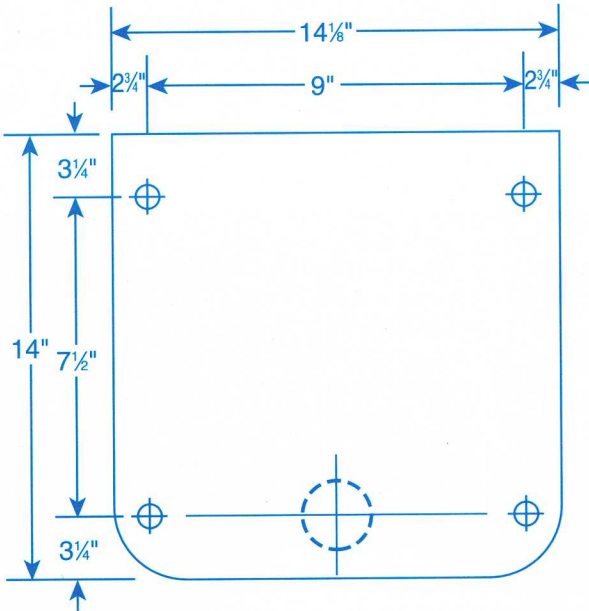


# PEERLESS NO. 316

## ULTRA WATER SAVER 1.6 gpf/6.0 Lpf

### ELONGATED SIPHON JET WALL HUNG

### TOP SPUD BOWL



**PEERLESS POTTERY, INC.**  
P.O. BOX 145  
ROCKPORT, INDIANA 47635-0145  
(800) 457-5785  
FAX (812) 649-6429

Fixture complies with ADA when mounted at a rim height of 17".  
Recommended for use with Zurn, Sloan, or Delaney 1.6 gpf/6.0 Lpf  
flushometer valve.



**This product is in compliance with ADA  
when properly installed.**