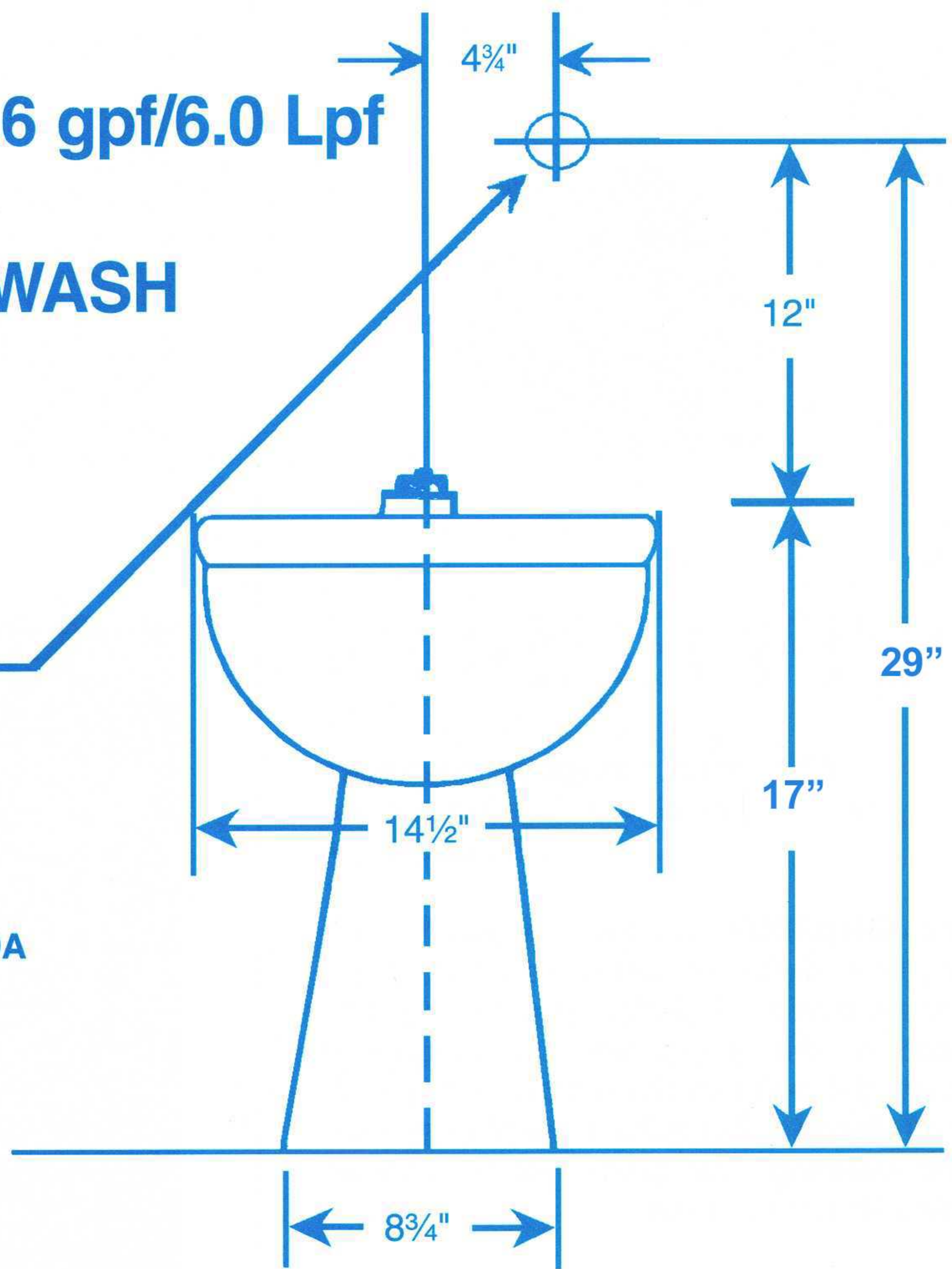


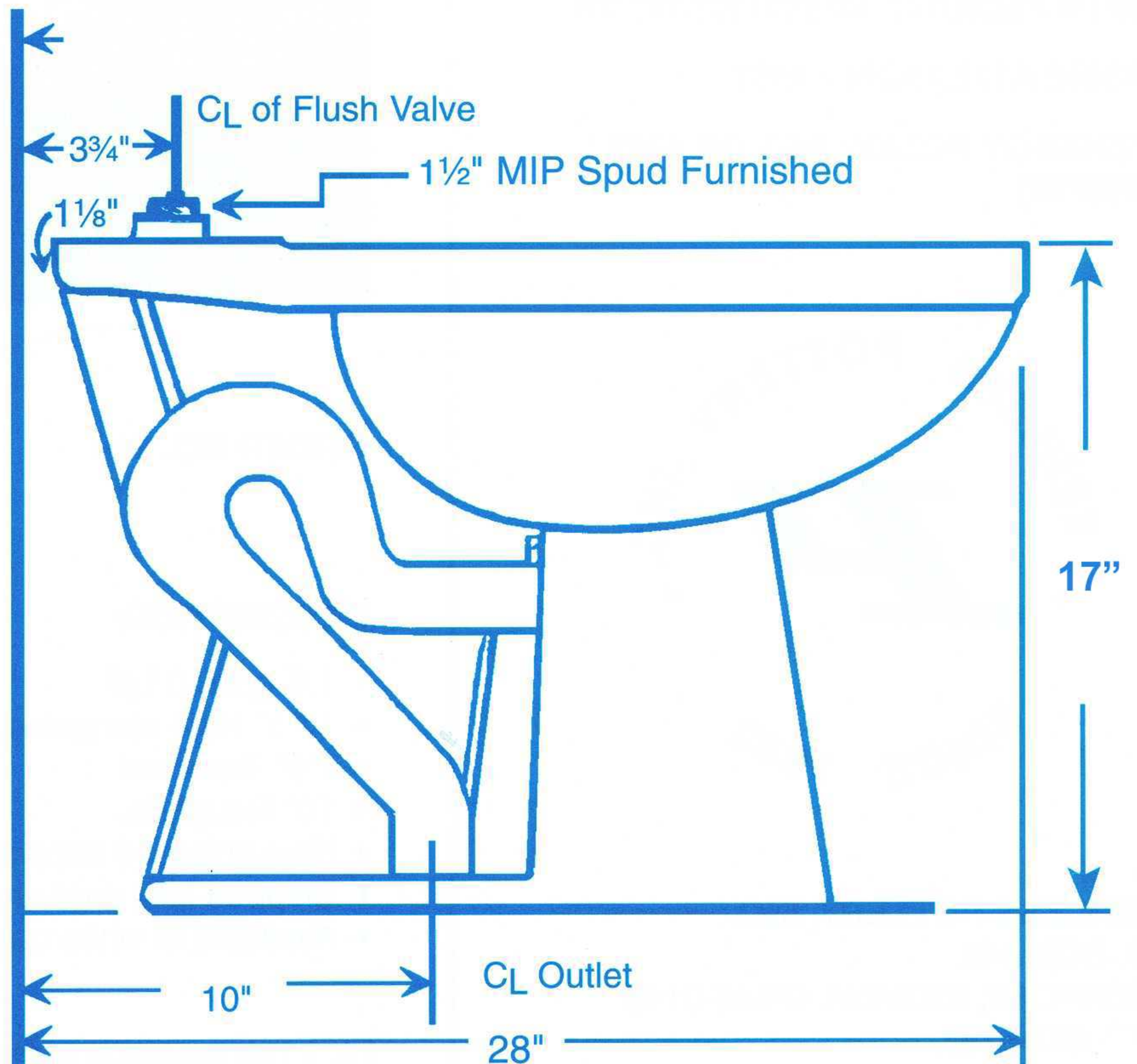
**PEERLESS NO. 616**  
**ULTRA WATER SAVER 1.6 gpf/6.0 Lpf**  
**17½" HIGH HANDICAP**  
**ELONGATED SIPHONIC WASH**  
**TOP SPUD BOWL**

1" IPS Supply  
To Flush Valve



This product is in compliance with ADA when properly installed.

Finished Wall Line



**PEERLESS POTTERY, INC.**  
 P.O. BOX 145  
 ROCKPORT, INDIANA 47635-0145  
 (800) 457-5785  
 FAX (812) 649-6429